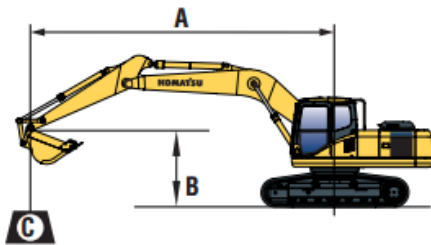


Equipment 948 – Komatsu PC160LC-7



PC160LC-7 ONE-PIECE BOOM



- A – Reach from swing center
 - B – Bucket hook height
 - C – Lifting capacities, including bucket linkage (200 kg) and bucket cylinder (140 kg)
- Rating over front
 - Rating over side
 - Rating at maximum reach

When removing bucket, linkage or cylinder, lifting capacities can be increased by their respective weights

With 500 mm shoe

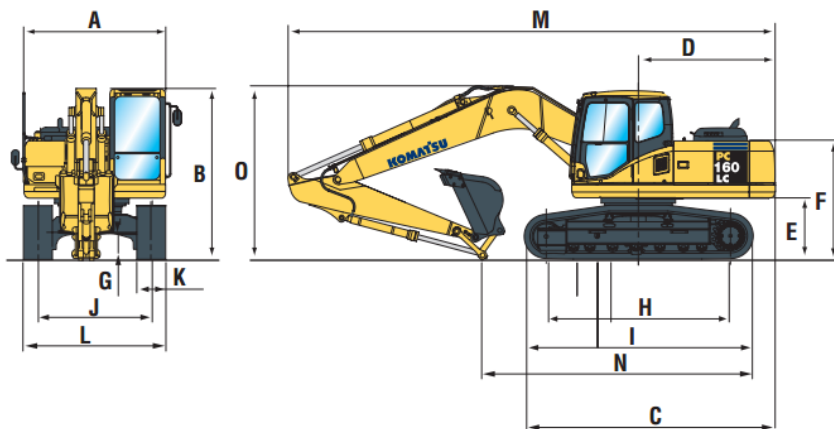
Arm length	A	7,5 m		6,0 m		4,5 m		3,0 m		1,5 m	

With 500 mm shoe 2,2 m 680 kg 0,9 m ²	6.0m		4.5m		3.0m		1.5m	
	* 2400	* 2400	* 3250	2850	* 4450	2850	* 5000	4650
	* 2450	1800	4450	2700	* 6300	4300	* 9700	8150
	* 2700	1700	2950	1750	4300	2550	6700	3850
	2950	1700	4150	2400	6550	3750	* 6750	* 6750
	3300	1950	4100	2400	6500	3650	* 10600	6950 * 6200 * 6200
	4200	2450			6550	3700	* 10500	7100 * 10250 * 10250
	* 4850	4200					* 7050	* 7050

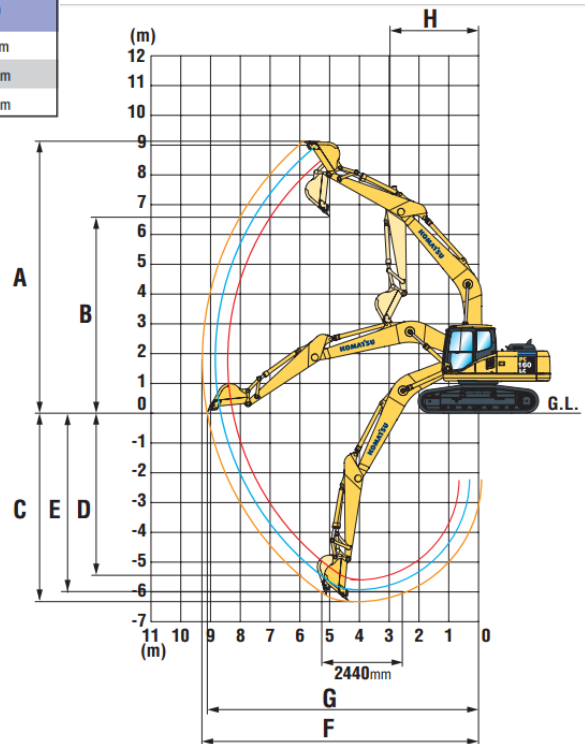
With 500 mm shoe 2,6 m 680 kg 0,9 m ²	6.0m		4.5m		3.0m		1.5m	
	* 2000	* 2000	* 3350	2900	* 4200	2850	* 5900	4400 * 8700 8450
	* 2050	1650	3050	1800	4500	2750	* 5900	4400 * 8700 8450
	* 2300	1600	3000	1750	4300	2550	6900	4000 * 7850 7350
	* 2650	1600	2900	1700	4150	2450	6600	3750 * 7350 6950
	3050	1750	4100	2350	6500	3650	* 10150	6950 * 5800 * 5800
	3800	2200	4100	2400	6500	3650	* 11150	7050 * 9200 * 9200
	* 4950	3450			* 5550	3850	8200	7350

With 500 mm shoe 2,9 m 680 kg 0,9 m ²	6.0m		4.5m		3.0m		1.5m	
	* 1750	* 1750	* 3250	2950	* 3900	2850	* 5500	4400 * 7850 * 7850
	1800	1550	3050	1800	4500	2700	* 5500	4400 * 7850 * 7850
	* 1950	1450	2950	1700	4300	2550	6900	4000 * 10000 7450
	* 2250	1450	2850	1650	4100	2400	6600	3700 * 7650 6950
	* 2800	1600	2850	1600	4050	2300	6400	3600 * 9750 6800 * 5400 * 5400
	3450	1950	4050	2300	6400	3600	* 11500	6900 * 8400 * 8400
	* 4800	2950			* 6050	3700	* 8900	7200

MACHINE DIMENSIONS	PC160LC
A Overall width of upper structure	2.490 mm
B Overall height of cab	2.970 mm
C Overall length of basic machine	4.373 mm
D Tail length	2.390 mm
Tail swing radius	2.435 mm
E Clearance under counterweight	1.055 mm
F Machine tail height	2.090 mm
G Ground clearance	440 mm
H Track length on ground	3.170 mm
I Track length	3.965 mm
J Track gauge	1.990 mm
K Track shoe width	500, 600, 700, 800 mm
L Overall track width with 500 mm shoe	2.490 mm
600 mm shoe	2.590 mm
700 mm shoe	2.690 mm
800 mm shoe	2.790 mm



Arm length	2,2 m	2,6 m	2,9 m
One-piece boom			
M Transport length	8.565 mm	8.565 mm	8.565 mm
N Length on ground (transport)	5.130 mm	4.760 mm	4.565 mm
O Overall height (to top of boom)	2.990 mm	3.000 mm	3.100 mm



Arm length	2,2 m	2,6 m	2,9 m
A Max. digging height	8.910 mm	8.980 mm	9.130mm
B Max. dumping height	6.280 mm	6.370 mm	6.525 mm
C Max. digging depth	5.610 mm	5.960 mm	6.250 mm
D Max. vertical wall digging depth	4.860 mm	5.040 mm	5.320 mm
E Max. digging depth of cut for 2,44 m level	5.375 mm	5.740 mm	6.050 mm
F Max. digging reach	8.680 mm	8.960 mm	9.235 mm
G Max. digging reach at ground level	8.510 mm	8.800 mm	9.075 mm
H Min. swing radius	3.040 mm	2.990 mm	2.995 mm