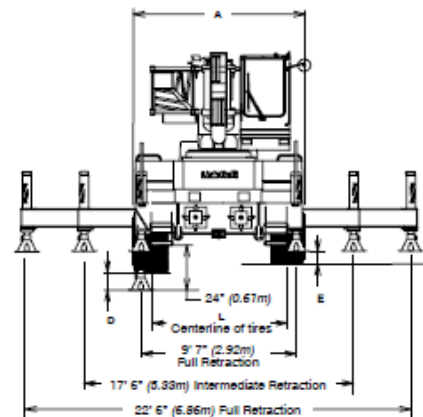
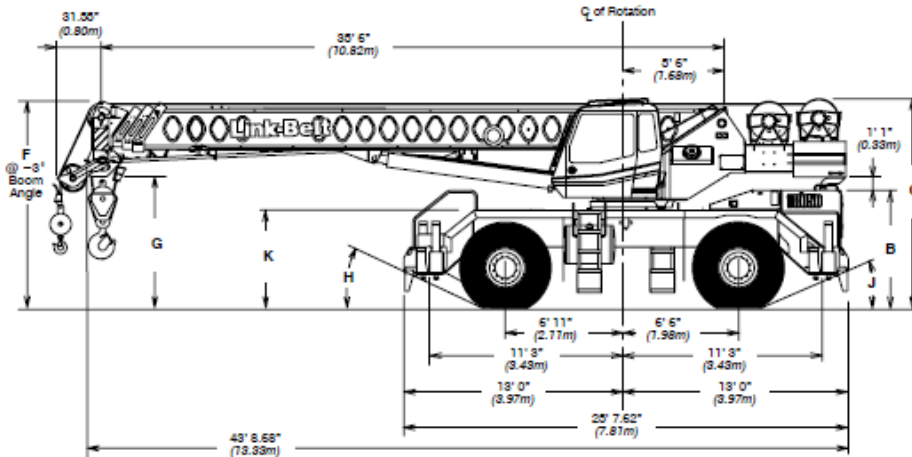


Equipment 914--Link Belt Crane - 50 Ton RoughHSP8050

General Dimensions



Turning Radius - Front Wheel (4x2) Steering	English	Metric
Wall to wall over center	29' 0"	11.8m
Wall to wall over boom	47' 7"	14.5m
Wall to wall over boom attachment	49' 7"	15.1m
Curb to curb	37' 3"	11.4m
Centerline of tire	38' 0"	11.6m

Turning Radius - All Wheel (4x4) Steering	English	Metric
Wall to wall over center	23' 4"	7.1m
Wall to wall over boom	34' 0"	10.4m
Wall to wall over boom attachment	35' 6"	10.8m
Curb to curb	21' 4"	6.5m
Centerline of tire	22' 0"	6.7m

Tail Swing	English	Metric
With counterweight	12' 8"	3.9m
Without counterweight	N/A	N/A

General Dimensions	Tire Size			
	23.5 x 25 bias		23.5R25 radial	
	English	Metric	English	Metric
A	10' 3.5"	3.14m	10' 3"	3.12m
B	8' 7.75"	2.63m	8' 8.5"	2.66m
C	11' 11.75"	3.65m	12' 1.5"	3.70m
D	7.75"	0.20m	7"	0.18m
E	10"	0.25m	11.75"	0.30m
F	10' 0.25"	3.05m	10' 0"	3.10m
G	7' 6"	2.29m	7' 7.75"	2.33m
H	24"	---	24.8"	---
J	21"	---	22"	---
K	8' 6.75"	2.62m	8' 8.5"	2.74m
L	8' 2"	2.51m	8' 2"	2.51m

Specification	Cummins 6BT 5.9L
Numbers of Cylinders	6
Cycle	4
Bore and Stroke: inch (mm)	4.02 x 4.72 (102 x 120)
Piston Displacement: in <sup>3</sup> (L)	359 (5.9)
Max. Brake Horsepower: hp (kW)	165 (123) @ 2,500 rpm
Peak Torque: ft lb (Nm)	440 (597) @ 1,600 rpm
Alternator: volts - amps	12 - 130
Crankcase Capacity: qt (L)	17.2 (16.3)

- \* Mechanically driven fan and thermostatically controlled radiator
- \* Water/Fuel separator
- \* 110-volt block heater
- \* Ether injection package

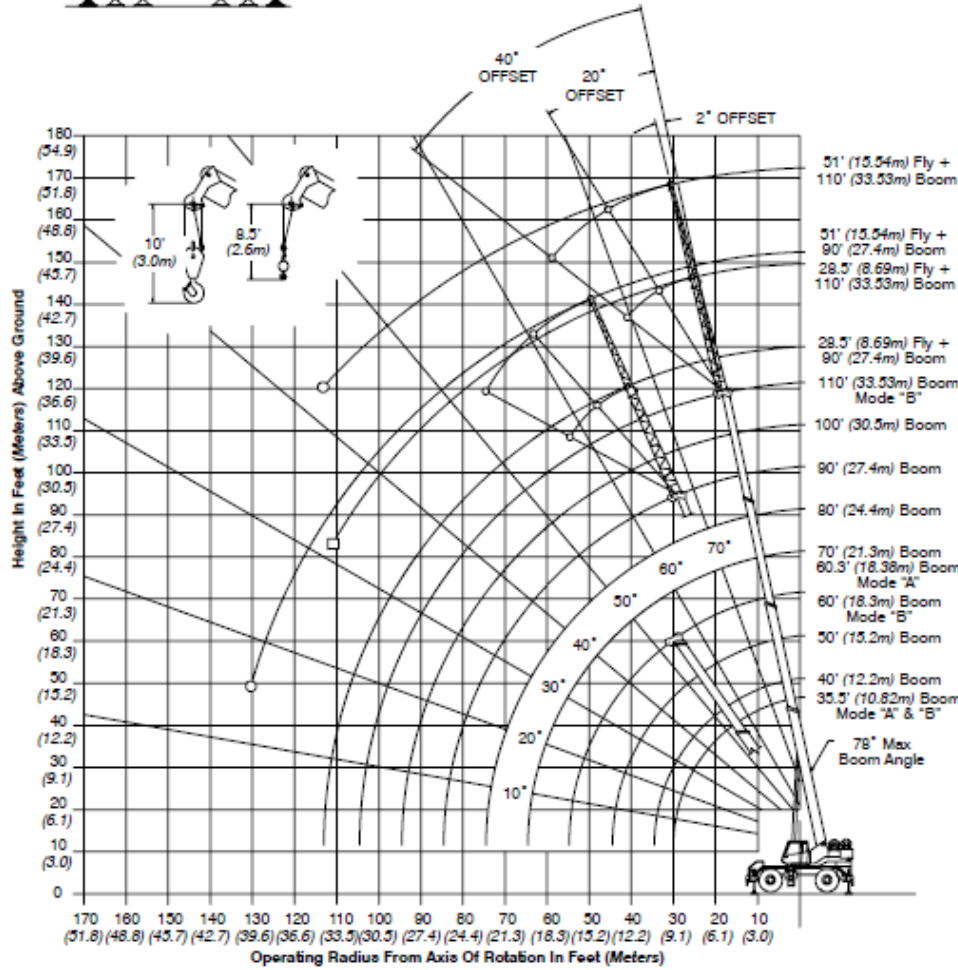
Main Boom Lift Capacity Charts - Standard

Fully Extended Outriggers - 360° Rotation (All Capacities Are Listed In Pounds)										
Radius (ft)	Boom Length (ft)								Radius (ft)	
	35.5	40	50	60/60.3	70	80	90	100		110
10	100,000	78,400	72,600							10
12	73,900	73,100	65,600	50,900**	37,900					12
15	63,200	63,000	57,500	46,900**	37,900	35,400				15
20	50,300	50,100	47,600	39,200**	37,900	34,700	28,900			20
25	39,000	38,900	38,500	37,900	37,900	34,200	28,200	24,000	19,500	25
30		31,300	31,900	32,300	32,500	30,300	24,800	22,500	19,500	30
35			26,100	26,500	26,700	26,900	22,000	19,900	18,300	35
40			20,800	21,200	21,400	21,500	19,700	17,800	16,400	40
45				17,100	17,300	17,400	17,500	15,900	14,600	45
50				13,900	14,200	14,300	14,400	14,400	13,200	50
55					11,900	12,100	12,200	12,200	12,100	55
60						10,200	10,300	10,300	10,400	60
65							8,600	8,700	8,800	65
70							7,300	7,500	7,500	70
75								6,400	6,500	75
80								5,400	5,500	80
85									4,700	85
90									4,000	90
95									3,500	95
100									2,900	100

\* Special Conditions Or Wire Rope Required  
 \*\* 60.3 A-max Mode

# Working Range Diagram

## Working Range Diagram On Fully Extended Outriggers



- Denotes Main Boom + 51' (15.5m) Fly-Boom Mode "B"
- Denotes Main Boom + 28.5' (8.7m) Fly-Boom Mode "B"

## Axle Loads

Base cranes with full tank of fuel	Gross Vehicle Weight (1)		Upper Facing Front				Upper Facing Rear			
			Front Axles		Rear Axles		Front Axles		Rear Axles	
	lb	kg	lb	kg	lb	kg	lb	kg	lb	kg
23.5R25 tires and wheels	368	167	183	83	185	84	183	83	185	84
Pintle hook, front	13	6	18	8	-5	-2	18	8	-5	-2
Pintle hook, rear	13	6	-5	-2	18	8	-5	-2	18	8
Rear steer indicator	3	1	0	0	3	1	0	0	3	1
Hydro-gas suspension	32	24	18	8	34	15	18	8	34	15
Winch roller - rear winch	93	42	-39	-18	132	60	129	59	-36	-17
Winch roller - front winch	93	42	-19	-9	112	51	109	49	-16	-7
2M auxiliary winch	19	9	-2	-0.9	21	10	21	10	-2	-0.9
600 ft (182.9m) of 3/4 in (19mm) wire rope on auxiliary winch	669	303	-88	-40	757	343	734	333	-65	-30
Air conditioning in operator's cab	315	143	74	34	241	109	231	105	84	38
360° swing look	76	34	28	13	48	22	45	20	31	14
Emergency steer system	136	62	15	7	121	55	116	53	20	9
Fly storage brackets to boom base section for fly options	99	45	146	66	-47	-21	-51	-23	150	68
28.5 ft (8.68m) offset fly - stowed	1,291	585	2,237	1,015	-947	-430	-990	-449	2,281	1,035
28.5-51 ft (8.68-15.54m) offset fly - stowed	1,861	844	3,060	1,388	-1,199	-544	-1,263	-573	3,124	1,417
Floodlight to boom base section	10	5	23	10	-13	-6	-13	-6	23	10
60 ton (54.4mt) hook block at front/rear bumper	1,109	503	1,330	694	-421	-191	-439	-208	1,568	711
40 ton (36.3mt) hook ball at front/rear bumper	720	327	994	451	-274	-124	-298	-135	1,108	462
8.5 ton (7.7mt) hook ball at front/rear bumper	360	163	497	225	-137	-62	-149	-68	509	231
Auxiliary lifting sheave	91	41	257	117	-166	-75	-169	-77	260	118

Tire	Maximum Load @ 25 mph (40.2km/h)
23.5 x 25 (20-PR)	38,000 lb (17,600kg)
23.5R25 2 Star	37,500 lb (17,010kg)