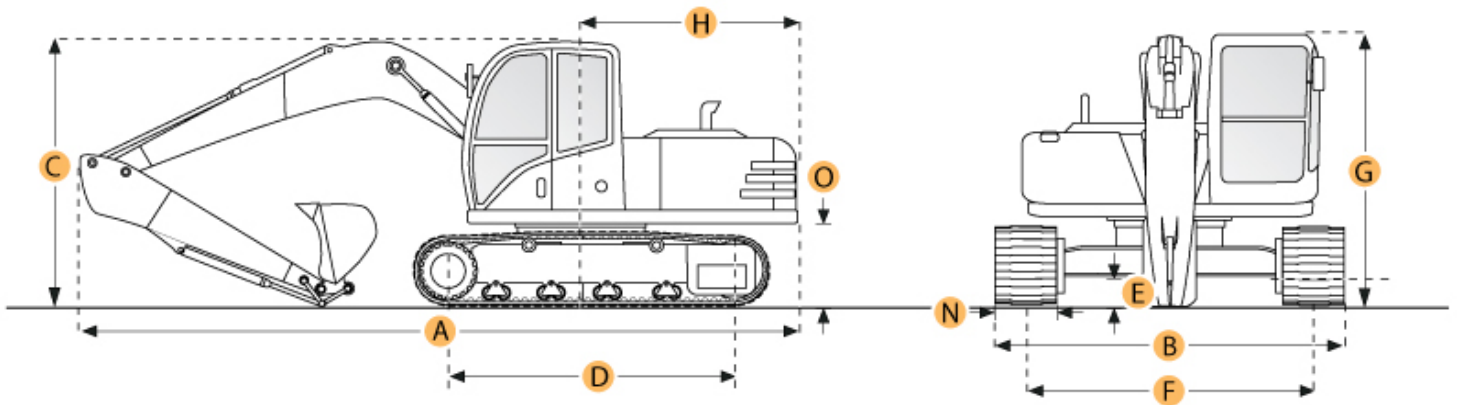
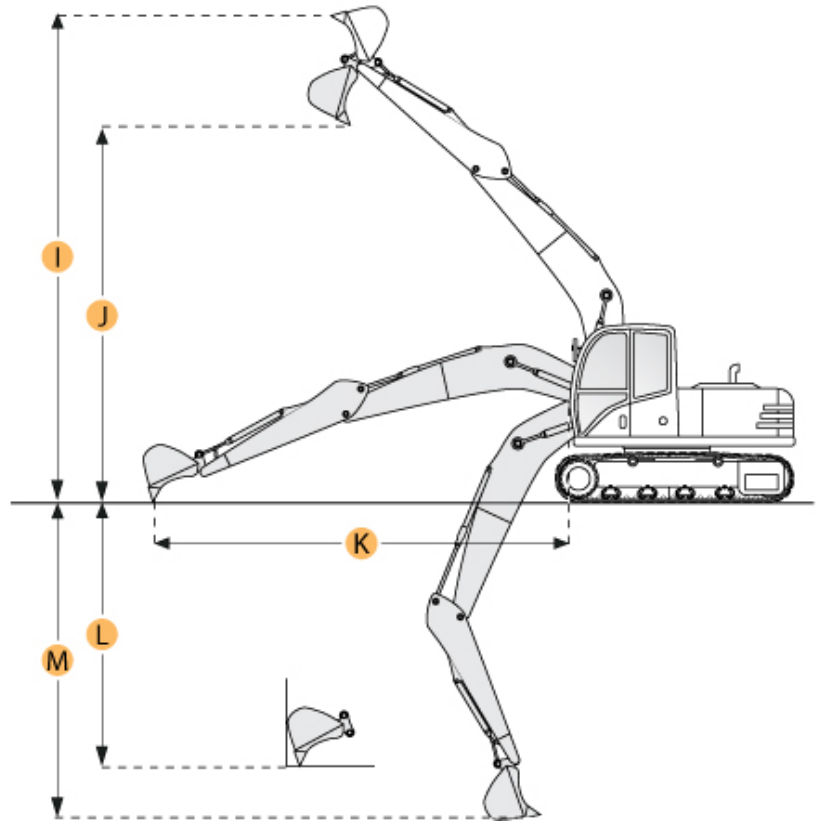


EXCAVATORS

Equipment 777 – Case CX210N-KQ

Selected Dimensions

Boom/Stick Option		Boom/Stick Option (HEX) 1 ▾
A. SHIPPING LENGTH OF UNIT	31.1 ft in	9470 mm
C. SHIPPING HEIGHT OF UNIT	9.7 ft in	2960 mm
I. MAX CUTTING HEIGHT	31.7 ft in	9650 mm
J. MAX LOADING HEIGHT	22.4 ft in	6830 mm
K. MAX REACH ALONG GROUND	32.1 ft in	9780 mm
L. MAX VERTICAL WALL DIGGING DEPTH	19.9 ft in	6080 mm
M. MAX DIGGING DEPTH	22 ft in	6710 mm
Dimensions		
B. WIDTH TO OUTSIDE OF TRACKS	10.5 ft in	3200 mm
D. LENGTH OF TRACK ON GROUND	12 ft in	3660 mm
E. GROUND CLEARANCE	1.5 ft in	457 mm
G. HEIGHT TO TOP OF CAB	9.4 ft in	2880 mm
H. TAIL SWING RADIUS	9.3 ft in	2820 mm
O. COUNTERWEIGHT CLEARANCE	3.4 ft in	1040 mm
Undercarriage		
N. SHOE SIZE	31.5 in	800.1 mm



Specification

Engine

MAKE	Case	
MODEL	6TAA-5904	
GROSS POWER	153 hp	114.1 kw
NET POWER	147 hp	109.6 kw
POWER MEASURED @	1950 rpm	
DISPLACEMENT	359 cu in	5.9 L
TORQUE MEASURED @	1400 rpm	
MAX TORQUE	450 lb ft	610.1 Nm
NUMBER OF CYLINDERS	6	
ASPIRATION	Turbocharged	

Operational

OPERATING WEIGHT	44002 lb	19959 kg
FUEL CAPACITY	89.8 gal	340 L
COOLING SYSTEM FLUID CAPACITY	7.1 gal	27 L
HYDRAULIC SYSTEM FLUID CAPACITY	54.4 gal	206 L
ENGINE OIL CAPACITY	6.3 gal	24 L
SWING DRIVE FLUID CAPACITY	1.3 gal	4.8 L
OPERATING VOLTAGE	24 V	
ALTERNATOR SUPPLIED AMPERAGE	45 amps	
HYDRAULIC SYSTEM RELIEF VALVE PRESSURE	4975 psi	238.2 kPa
HYDRAULIC PUMP FLOW CAPACITY	53.1 gal/min	201 L/min

Swing Mechanism

SWING SPEED	11.9 rpm
-------------	----------

Undercarriage

NUMBER OF SHOES PER SIDE	49	
SHOE SIZE	31.5 in	800.1 mm
NUMBER OF CARRIER ROLLERS PER SIDE	2	
NUMBER OF TRACK ROLLERS PER SIDE	8	
GROUND PRESSURE	4.5 psi	31 kPa
MAX TRAVEL SPEED	3.4 mph	5.5 km/h
DRAWBAR PULL	41140 lb	183 kN

Buckets

REFERENCE BUCKET CAPACITY	1 yd ³	0.76 m ³
MINIMUM BUCKET CAPACITY	0.62 yd ³	0.47 m ³
MAXIMUM BUCKET CAPACITY	1.5 yd ³	1.1 m ³

Boom/Stick Option (HEX) 1

BOOM/STICK OPTION (HEX) 1	Boom 18'8" (5700mm)/ Stick 9'10" (3000mm)	
SHIPPING HEIGHT OF UNIT	9.7 ft in	2960 mm
SHIPPING LENGTH OF UNIT	31.1 ft in	9470 mm
MAX DIGGING DEPTH	22 ft in	6710 mm
MAX REACH ALONG GROUND	32.1 ft in	9780 mm
MAX CUTTING HEIGHT	31.7 ft in	9650 mm
MAX LOADING HEIGHT	22.4 ft in	6830 mm
MAX VERTICAL WALL DIGGING DEPTH	19.9 ft in	6080 mm

Boom/Stick Option (HEX) 2

BOOM/STICK OPTION (HEX) 2	Boom 18'8" (5700mm)/ Stick 7'10" (2400mm)	
SHIPPING HEIGHT OF UNIT	10.1 ft in	3070 mm
SHIPPING LENGTH OF UNIT	31.3 ft in	9550 mm
MAX DIGGING DEPTH	20.1 ft in	6120 mm
MAX REACH ALONG GROUND	30.2 ft in	9220 mm
MAX CUTTING HEIGHT	30.7 ft in	9370 mm
MAX LOADING HEIGHT	21.6 ft in	6580 mm
MAX VERTICAL WALL DIGGING DEPTH	18 ft in	5490 mm

Dimensions

WIDTH TO OUTSIDE OF TRACKS	10.5 ft in	3200 mm
HEIGHT TO TOP OF CAB	9.4 ft in	2880 mm
GROUND CLEARANCE	1.5 ft in	457 mm
COUNTERWEIGHT CLEARANCE	3.4 ft in	1040 mm
TAIL SWING RADIUS	9.3 ft in	2820 mm
LENGTH OF TRACK ON GROUND	12 ft in	3660 mm