

# CRANES

## Equipment 742—Link Belt 30tn Crane

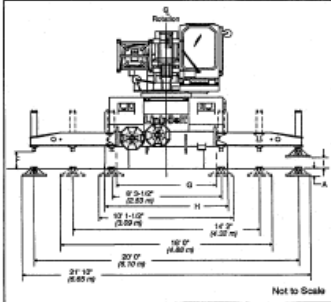
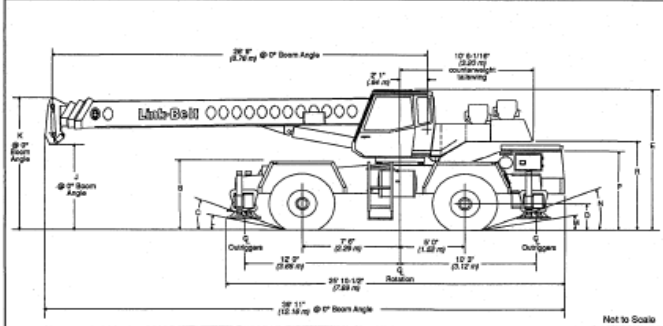
GENERAL INFORMATION ONLY



### Specifications

Hydraulic Rough Terrain Crane

## RTC-8030 30-ton (27.23 metric ton)



General dimensions		feet	meters
Turning radius (4-wheel steer - centerline of lines)		19' 4"	5.89
Turning radius (2-wheel steer - centerline of lines)		33' 2"	10.11
Turning radius (4-wheel steer - wall to wall)		31' 4"	9.55
Turning radius (2-wheel steer - wall to wall)		44' 1"	13.44
Turning radius (4-wheel steer - center clearance)		22' 6"	6.87

Tires	20.5 X 25 (24-PR)		23.5 X 25 (20-PR)	
	feet	meters	feet	meters
A	12.13"	.37	10.13"	.26
B	66.86"	1.75	70.66"	1.80
C	21.28"	-	22.5"	-
D	26.80"	.86	28.80"	.73
E	136.72"	3.47	136.72"	3.52
F	17.37"	.44	19.37"	.49
G	86.50"	2.27	88.50"	2.25
H	110.27"	2.80	113.70"	2.89
I	10.81"	.27	12.81"	.33
J	89.07"	2.26	91.07"	2.31
K	134.17"	3.41	136.17"	3.46
L	11.1"	-	13.25"	-
M	9.4"	-	11.25"	-
N	18.0"	-	18.0"	-
P	78.11"	2.01	81.11"	2.06
R	85.37"	2.17	87.37"	2.22



Load Radius (Ft.)	Z <sup>o</sup>	FULL						Load Radius (Ft.)			
		30 Ft.		40 Ft.		50 Ft.					
		360°	Over Front	360°	Over Front	360°	Over Front				
10	66.0	60,000	60,000	72.5	49,900	49,900	79.5	48,500	48,500	10	
12	61.5	53,100	53,100	69.5	46,800	46,800	74.5	44,100	44,100	12	
15	54.5	43,500	43,500	64.5	43,100	43,100	70.5	38,500	38,500	15	
20	40.5	31,200	31,200	55.0	31,800	31,800	64.5	32,100	32,100	20	
25	17.5	23,700	23,700	46.5	24,900	24,900	57.5	24,700	24,700	25	
30				34.5	19,400	19,400	50.0	19,800	19,800	30	
35				15.0	15,100	15,100	41.5	15,400	15,400	35	
40							31.0	12,200	12,200	40	
45							13.0	9,900	10,000	45	
Min. Bm. Ang./Cap	0 (25.8)	22,300	22,300	0 (35.8)	13,700	13,700	0 (45.8)	9,500	9,500	Min. Bm. Ang./Cap	
Load Radius (Ft.)	Z <sup>o</sup>	60 Ft.			70 Ft.			78 Ft.			Load Radius (Ft.)
		360°	Over Front	360°	Over Front	360°	Over Front				
		12	77.5	40,300	40,300	77.5	31,200	31,200			
15	74.5	35,600	35,600	73.5	25,800	25,800				15	
20	69.5	29,200	29,200	69.0	22,100	22,100	71.5	18,400	18,400	20	
25	64.5	24,100	24,100	69.0	22,100	22,100	67.5	15,300	15,300	25	
30	58.5	20,000	20,000	64.5	18,100	18,100	63.5	13,000	13,000	30	
35	52.5	15,800	15,800	59.5	15,700	15,700	63.5	13,000	13,000	35	
40	45.5	12,400	12,400	54.0	12,500	12,500	59.0	11,700	11,700	40	
45	36.0	10,100	10,200	48.5	10,200	10,300	54.5	10,200	10,200	45	
50	28.5	8,400	8,500	42.5	8,500	8,600	49.5	8,600	8,600	50	
55	12.0	7,000	7,100	36.5	7,100	7,200	44.0	7,200	7,300	55	
60				28.5	6,000	6,100	38.0	5,100	5,200	60	
65				11.5	5,100	5,200	30.5	5,200	5,300	65	
70							21.0	4,500	4,600	70	
Min. Bm. Ang./Cap	0 (55.8)	6,800	6,800	0 (65.8)	5,000	5,100	0 (73.8)	4,000	4,100	Min. Bm. Ang./Cap	

Note: Refer To Page 5 For "Capacity Deductions For Auxiliary Load Handling Equipment".  
 Z<sup>o</sup> Loaded Boom Angle In Degrees. ( ) Reference Radius For Minimum Boom Angle Capacities (Shown In Parenthesis) Are In Feet.