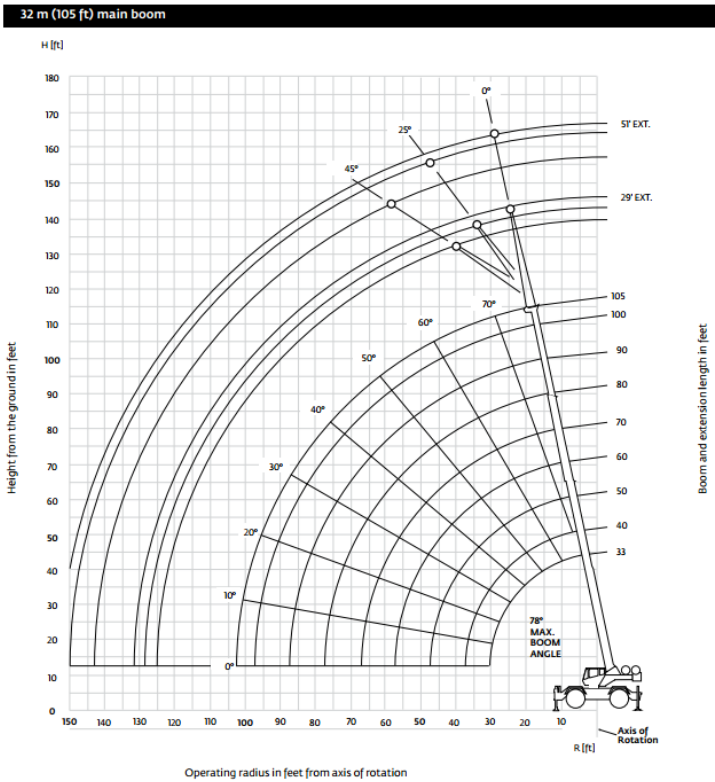
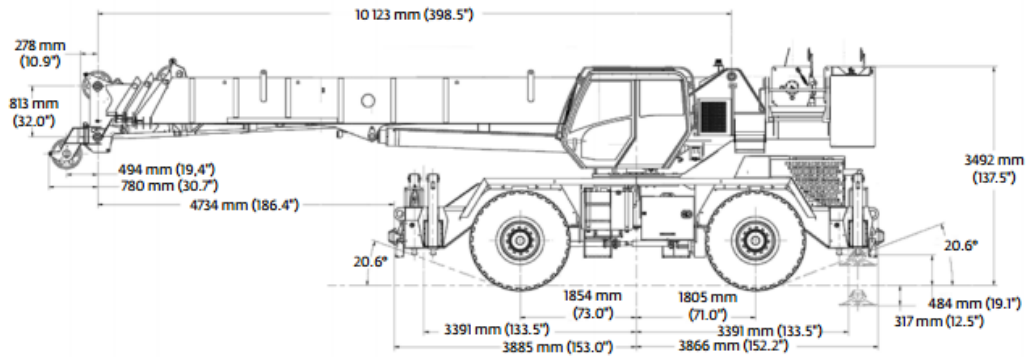
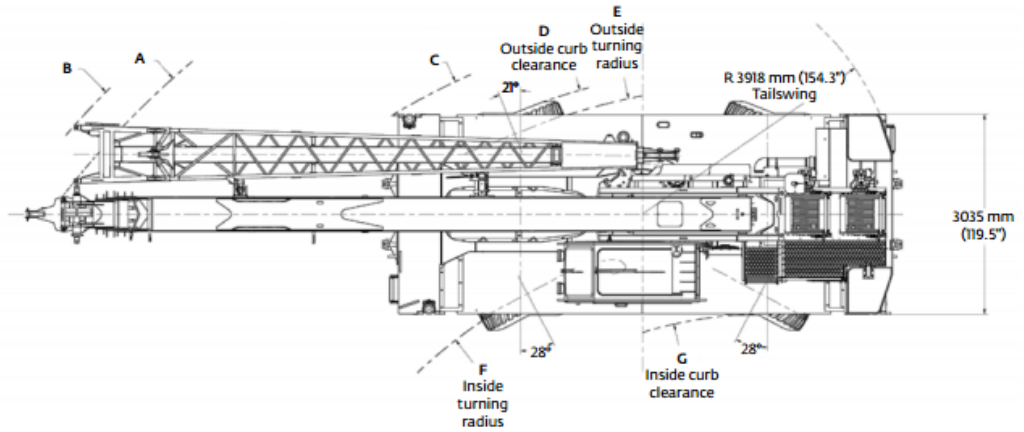
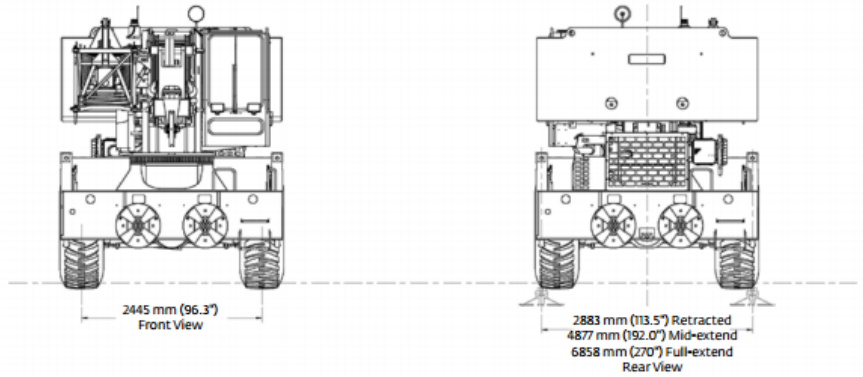


Equipment 1073—Grove RT650E



Dimensions and weights



Weights	GVW		Front		Rear	
	kg	lb	kg	lb	kg	lb
<b>Basic Machine:</b> including 32 m (105 ft) main boom, main hoist with 137 m (450 ft) of wire rope, IPO, full pinned counterweight, air conditioner, full aluminum decking, and hoist access platform.	(33 026)	72,809	(15 162)	33,425	(17 865)	39,384
<b>ADD:</b> 45 t (50 USt) 3-sheave hookblock stowed in trough	(458)	1,010	(470)	1,037	(-12)	27
<b>Crane weight</b>	(33 484)	73,819	(15 632)	34,462	(17 852)	39,357
<b>ADD:</b> 8,8 m - 15,5 m (29 ft - 51 ft) telescopic swingaway + carrier brackets + aux. nose	(1 016)	2,239	(1 739)	3,834	(-723)	1,595
<b>Crane weight</b>	(34 500)	76,058	(17 371)	38,296	(17 129)	37,762
<b>ADD:</b> Auxiliary Hoist + 137 m (450 ft) of wire rope	(236)	520	(-83)	183	(319)	703
<b>Crane weight</b>	(34 735)	76,578	(17 288)	38,113	(17 448)	38,465
<b>ADD:</b> 7,5 t (8.3USt) headache ball	(161)	355	(279)	616	(-118)	261
<b>Crane weight</b>	(34 897)	76,933	(17 567)	38,729	(17 329)	38,204

## Load chart RT650E

